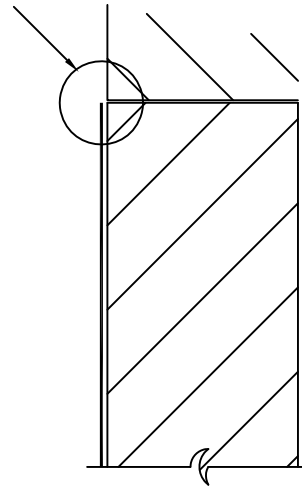
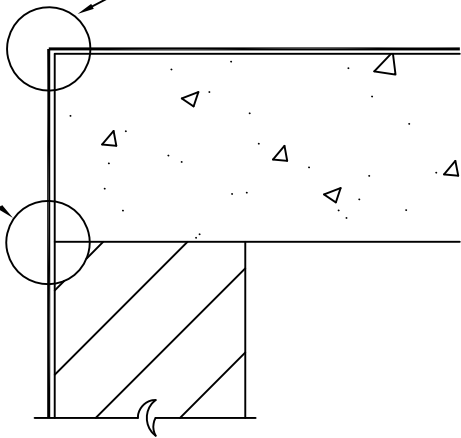
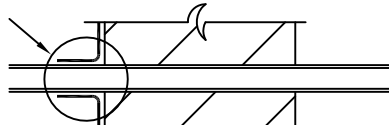


REF. DETAIL W-12B
FOR TERMINATION DETAILS

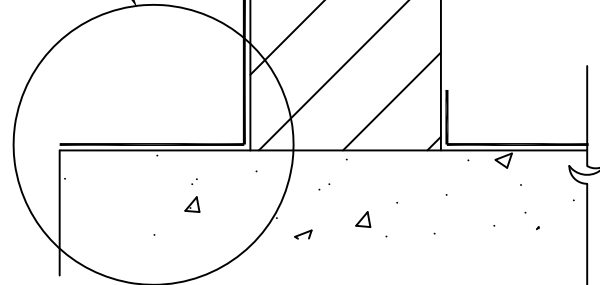
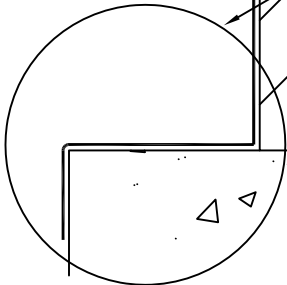
SEE NOTE 3



REF. DETAILS
W-7A



REF. DETAIL W-12C
FOR FOOTING AND
CORNER TRANSITIONS



NOTES:

1. WHEN FOUNDATION WALLS ARE CONSTRUCTED OF CONCRETE BLOCK (CMU), MM6125 MUST BE INSTALLED IN FABRIC REINFORCED MEMBRANE ASSEMBLY.
2. APPROPRIATE PROTECTION MATERIALS INCLUDE HYDROFLEX 30, HYDROFLEX RB, STYROFOAM INSULATION, TERMAFLO INSULATION DRAINAGE PANELS. (SEE W-12B AND 12C)
3. ALL COLD/CONSTRUCTION JOINTS MUST BE REINFORCED WITH FLEX-FLASH F OR FLEX-FLASH UN.



**Monolithic
Membrane
6125-FR**
WATERPROOFING SYSTEMS

AMERICAN HYDROTECH, INC.

TYPICAL FOUNDATION WALL
APPLICATIONS

SCALE: NONE
DATE: 11/01/17

W-12A